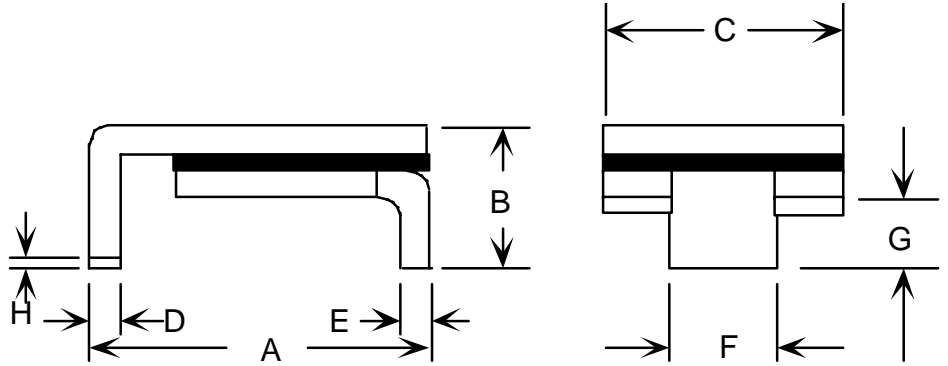


**Specification Status: Released**

**Maximum Electrical Ratings**  
Operating Voltage / Interrupt Current  
**16V / 50A**

Marking:

- H12** – Part Identification
- Manufacturer's Mark
- Lot Identification



Notes:

1. All metal surfaces are tin plated.
2. Drawing not to scale.

**TABLE I. DIMENSIONS:**

	A		B		C		D		E		F		G		H
	MIN	MAX	MIN	MAX	MIN	MAX	MIN	MAX	MIN	MAX	MIN	MAX	MIN	MAX	MIN
mm:	6.73	7.98	--	3.00	4.8	5.44	0.56	0.71	0.56	0.71	2.16	2.41	0.66	1.37	0.43
in*:	(0.265)	(0.314)	--	(0.118)	(0.19)	(0.214)	(0.022)	(0.028)	(0.022)	(0.028)	(0.085)	(0.095)	(0.026)	(0.054)	(0.017)

**TABLE II. PERFORMANCE RATINGS:**

CURRENT RATINGS**						TIME TO TRIP**	RESISTANCE VALUES		TRIPPED-STATE POWER DISSIPATION**
AMPS AT 0°C		AMPS AT 20°C		AMPS AT 60°C		SECONDS AT 20°C, 8.0A	OHMS AT 20°C		WATTS AT 20°C
HOLD	TRIP	HOLD	TRIP	HOLD	TRIP	MAX	MIN	MAX*	MAX
1.58	3.29	1.20	2.3	0.83	2.52	2.0	0.150	0.340	2.0

\* Maximum resistance is measured 1 hour after reflow.

\*\* Values specified were determined using PCB's with 0.070"X1.5 ounce copper traces.

Reference Documents:

PS300, E.N. SMD 1.0x

Precedence:

This specification takes precedence over documents referenced herein.

Effectivity:

Reference documents shall be the issue in effect on the date of invitation for bid.

CAUTION:

Operation beyond the rated voltage or current may result in rupture, electrical arcing or flame.

**Materials Information**

**ROHS Compliant**

Directive 2002/95/EC  
Compliant

**ELV Compliant**

Directive 2000/53/EC  
Compliant

**Pb-Free**





308 Constitution Drive  
Menlo Park, CA 94025-1164  
Phone: 800-227-4856  
[www.circuitprotection.com](http://www.circuitprotection.com)

**PolySwitch®**  
**PTC Devices**  
**Overcurrent Protection Device**  
*Raychem Circuit Protection Products*

**PRODUCT: SMDH120**

DOCUMENT: SCD 25652  
PCN: E88288  
REV LETTER: B  
REV DATE: APRIL 28, 2007  
PAGE NO.: 2 OF 1